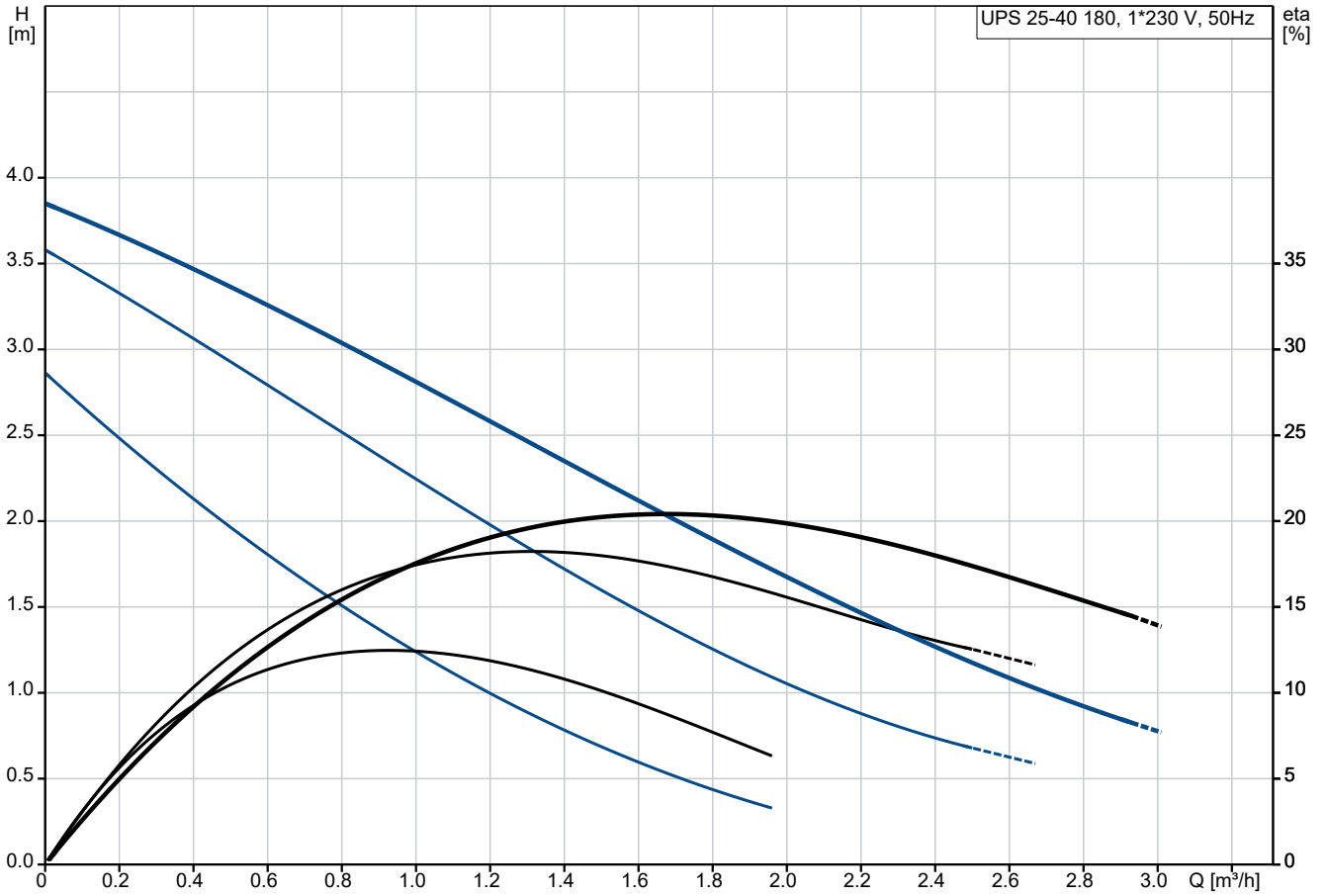


Qty.	Description
1	<p>UPS 25-40 180 Product No.: On request The pump is of the canned rotor type, i.e. pump and motor form an integral unit without shaft seal and with only two gaskets for sealing. The bearings are lubricated by the pumped liquid. The pump has 3-step speed selector. The pump is characterized by:</p> <ul style="list-style-type: none"> * Ceramic shaft and radial bearings. * Carbon axial bearing. * Stainless steel rotor can and bearing plate. * Corrosion-resistant impeller, Composite. * Cast iron pump housing. <p>The motor is a 1-phase motor. No additional motor protection is required.</p> <p>Liquid: Pumped liquid: Water Liquid temperature range: 2 .. 110 °C Selected liquid temperature: 60 °C Density: 983.2 kg/m³</p> <p>Technical: Rated flow: 1.67 m³/h Rated head: 2.07 m TF class: 110 Approvals: VDE,EAC</p> <p>Materials: Pump housing: Cast iron EN 1561 EN-GJL-150 ASTM 30 B Impeller: Composite PP-GF30</p> <p>Installation: Range of ambient temperature: 0 .. 40 °C Maximum operating pressure: 10 bar Type of connection: G Size of connection: 1 1/2 inch Pressure rating for connection: PN 10 Port-to-port length: 180 mm</p> <p>Electrical data: Power input in speed 1: 25 W Power input in speed 2: 35 W Max. power input: 45 W Mains frequency: 50 Hz Rated voltage: 1 x 230 V Current in speed 1: 0.12 A Current in speed 2: 0.16 A Current in speed 3: 0.2 A Capacitor size - run: 1.5 µF Enclosure class (IEC 34-5): IP44 Insulation class (IEC 85): F Built-in motor protection: NONE</p>

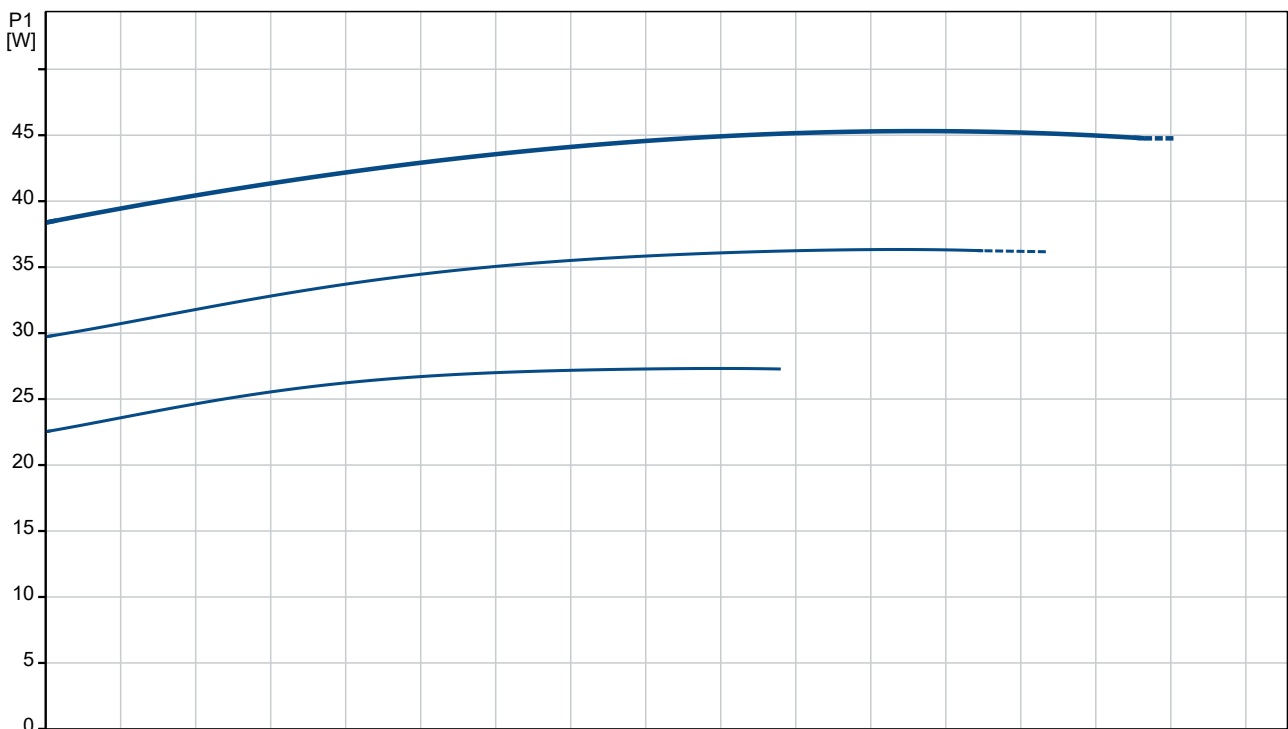
Qty.	Description
------	-------------

1	Others: Terminal box position: 9H Net weight: 2.37 kg Gross weight: 2.5 kg Shipping volume: 0.004 m ³
---	--

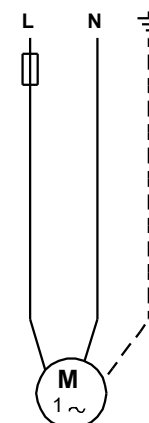
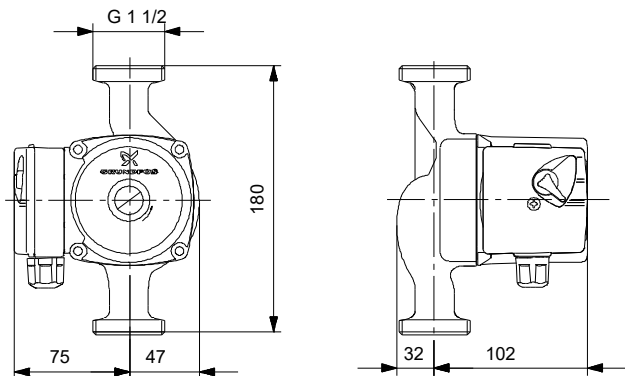
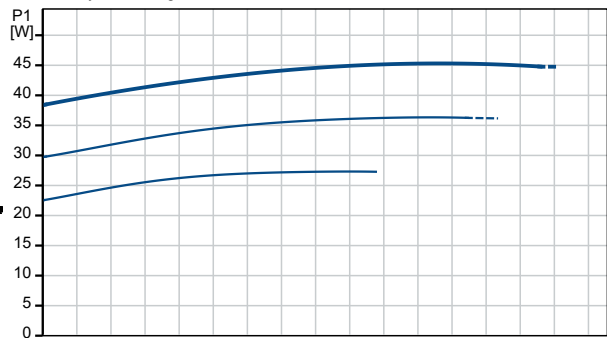
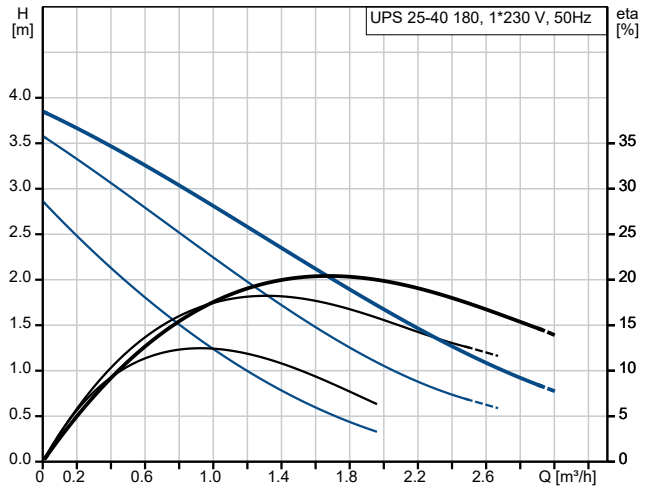
On request UPS 25-40 180 50 Hz



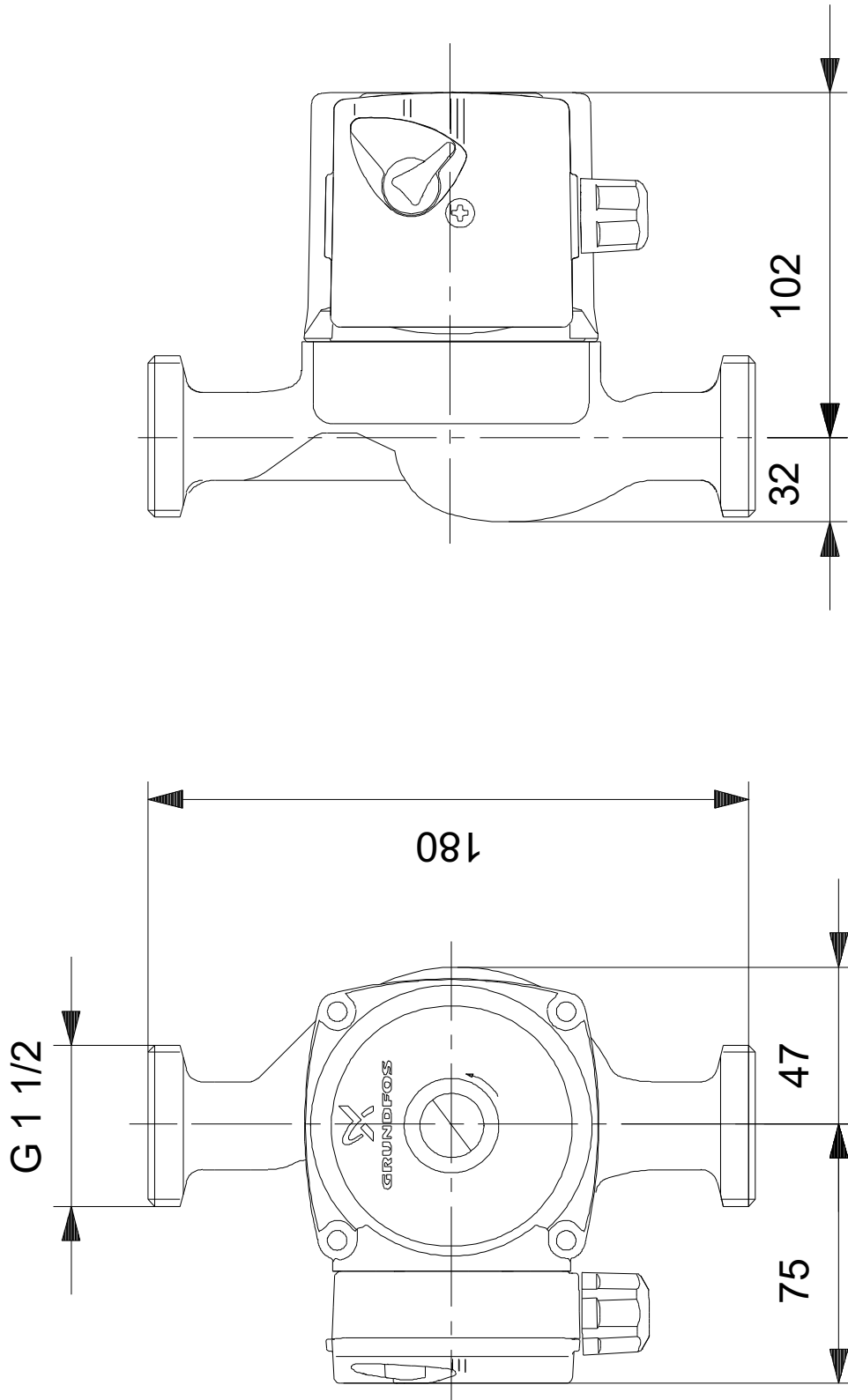
Pumped liquid = Water
Liquid temperature during operation = 60 °C
Density = 983.2 kg/m³



Description	Value
General information:	
Product name:	UPS 25-40 180
Product No:	On request
EAN number:	On request
Technical:	
Speed no:	3
Rated flow:	1.67 m ³ /h
Rated head:	2.07 m
Maximum head:	40 dm
TF class:	110
Approvals:	VDE,EAC
Materials:	
Pump housing:	Cast iron
Pump housing:	EN 1561 EN-GJL-150
Pump housing:	ASTM 30 B
Impeller:	Composite
Impeller:	PP-GF30
Installation:	
Range of ambient temperature:	0 .. 40 °C
Maximum operating pressure:	10 bar
Type of connection:	G
Size of connection:	1 1/2 inch
Pressure rating for connection:	PN 10
Port-to-port length:	180 mm
Liquid:	
Pumped liquid:	Water
Liquid temperature range:	2 .. 110 °C
Selected liquid temperature:	60 °C
Density:	983.2 kg/m ³
Electrical data:	
Power input in speed 1:	25 W
Power input in speed 2:	35 W
Max. power input:	45 W
Mains frequency:	50 Hz
Rated voltage:	1 x 230 V
Current in speed 1:	0.12 A
Current in speed 2:	0.16 A
Current in speed 3:	0.2 A
Capacitor size - run:	1.5 µF
Enclosure class (IEC 34-5):	IP44
Insulation class (IEC 85):	F
Built-in motor protection:	NONE
Thermal protec:	IMP.
Others:	
Terminal box position:	9H
Net weight:	2.37 kg
Gross weight:	2.5 kg
Shipping volume:	0.004 m ³



On request UPS 25-40 180 50 Hz



Note! All units are in [mm] unless others are stated.
Disclaimer: This simplified dimensional drawing does not show all details.