

Qty. Description

1 **UPS 65-185/2 F 340**



Note! Product picture may differ from actual product

Product No.: On request

The pump is of the canned rotor type, i.e. pump and motor form an integral unit without shaft seal and with only two gaskets for sealing. The bearings are lubricated by the pumped liquid.

In order to avoid problems in connection with disposal, great importance has been attached to using as few different materials as possible.

The pump is characterized by:

- * 3 speed motor.
- * Ceramic radial bearings.
- * Carbon axial bearing.
- * Stainless steel rotor can, bearing plate and rotor cladding.
- * Aluminium alloy stator housing.
- * Cast iron pump housing.
- * Stator with built-in thermal switch.

The motor is a 3-phase motor.

The pump is supplied with a standard module in the terminal box.

The standard module is to be connected to the mains supply via external contactor.

Controls:

Relay: without relay

Liquid:

Pumped liquid: Water
 Liquid temperature range: -10 .. 120 °C
 Selected liquid temperature: 60 °C
 Density: 983.2 kg/m³

Technical:

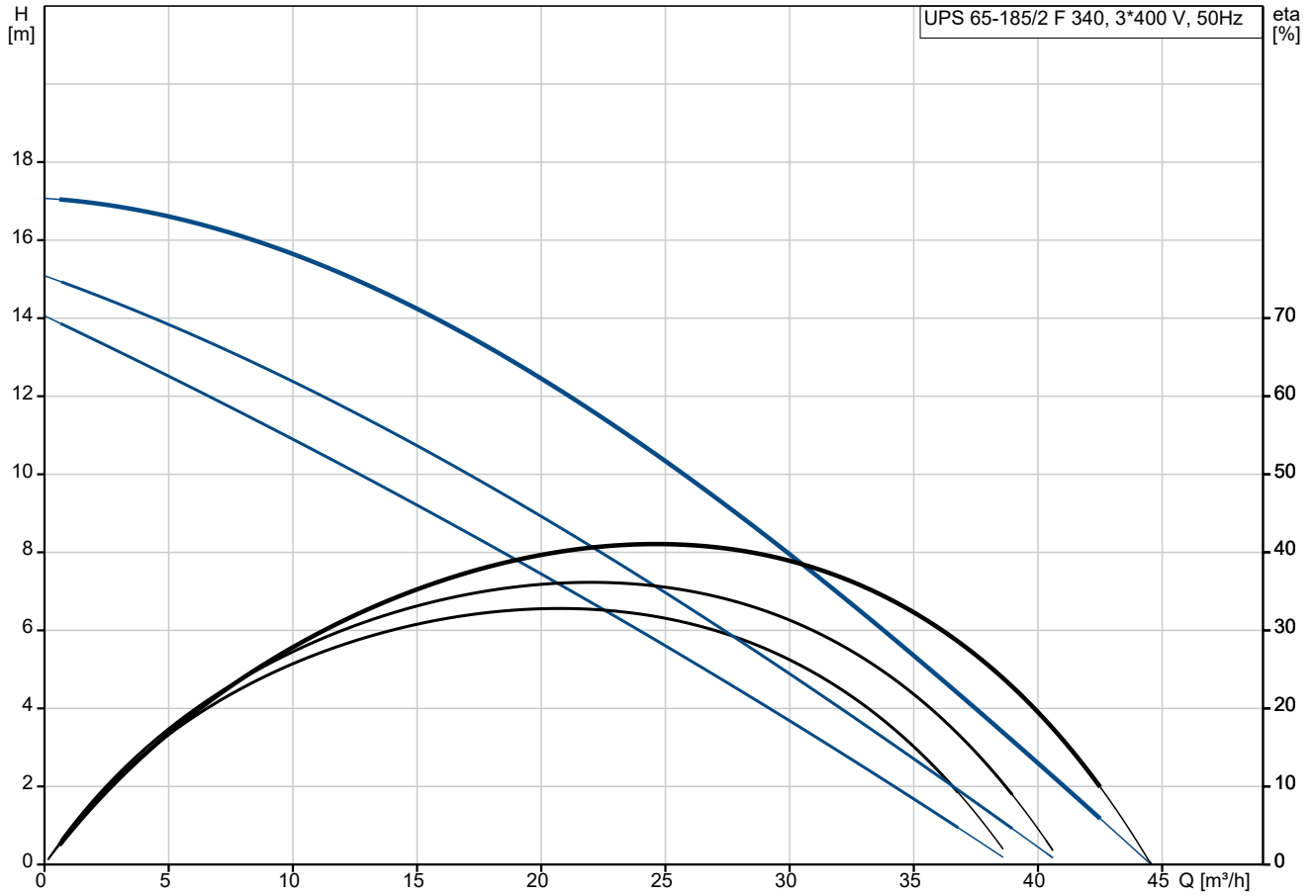
Rated flow: 23.6 m³/h
 Rated head: 11.06 m
 Approvals: AAA,EAC

Materials:

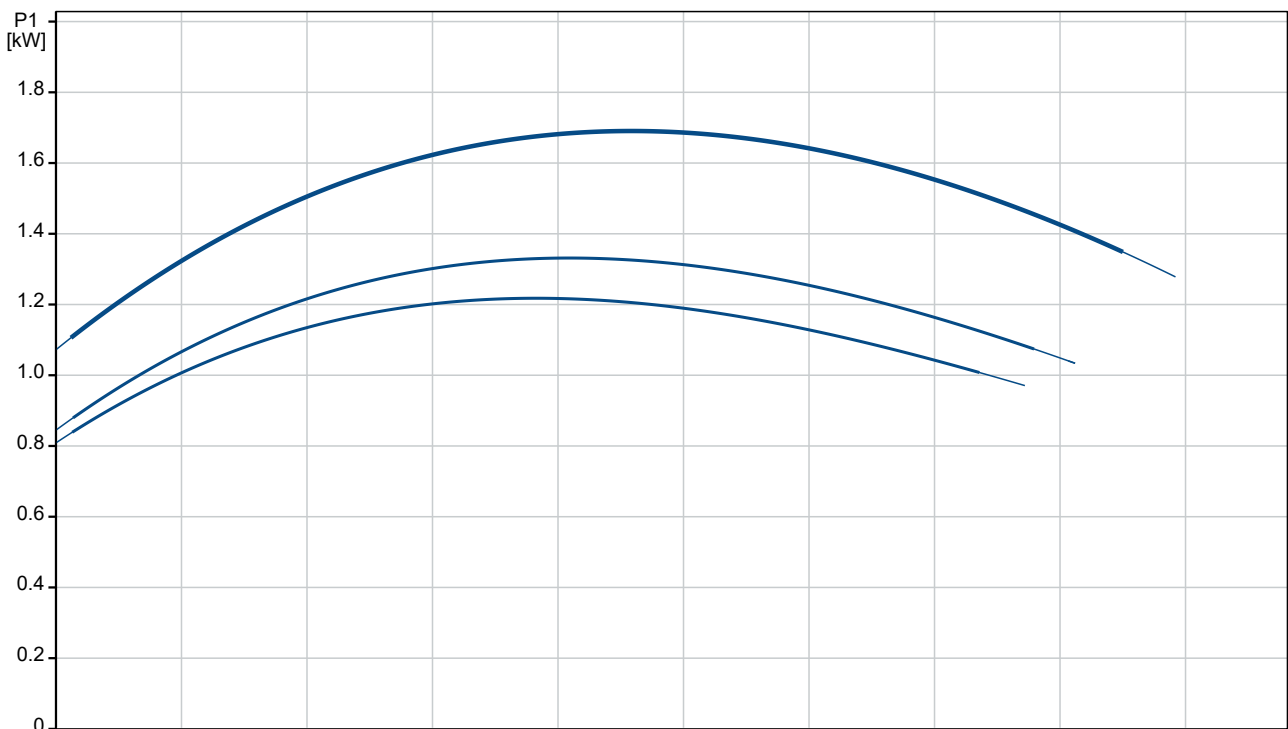
Pump housing: Cast iron
 EN 1561 EN-GJL-250
 35 B - 40 B
 Impeller: Stainless steel
 EN 1.4301

Qty.	Description
1	<p style="text-align: right;">304</p> <p>Installation:</p> <p>Range of ambient temperature: 0 .. 40 °C</p> <p>Maximum operating pressure: 10 bar</p> <p>Type of connection: DIN</p> <p>Size of connection: DN 65</p> <p>Pressure rating for connection: PN 6/10</p> <p>Port-to-port length: 340 mm</p> <p>Electrical data:</p> <p>Power input in speed 1: 1220 W</p> <p>Power input in speed 2: 1340 W</p> <p>Max. power input: 1710 W</p> <p>Mains frequency: 50 Hz</p> <p>Rated voltage: 3 x 400-415 V</p> <p>Current in speed 1: 2 A</p> <p>Current in speed 2: 2.2 A</p> <p>Current in speed 3: 3.25 A</p> <p>Cos phi in speed 1: 0.88</p> <p>Cos phi in speed 2: 0.88</p> <p>Cos phi: 0.76</p> <p>Number of poles: 2</p> <p>Insulation class (IEC 85): H</p> <p>Enclosure class (IEC 60529): X4D</p> <p>Built-in motor protection: CONTACT</p> <p>Others:</p> <p>Terminal box position: 1.30H</p> <p>Net weight: 31.8 kg</p> <p>Gross weight: 33.7 kg</p> <p>Shipping volume: 0.055 m³</p> <p>Danish VVS No.: 380738043</p>

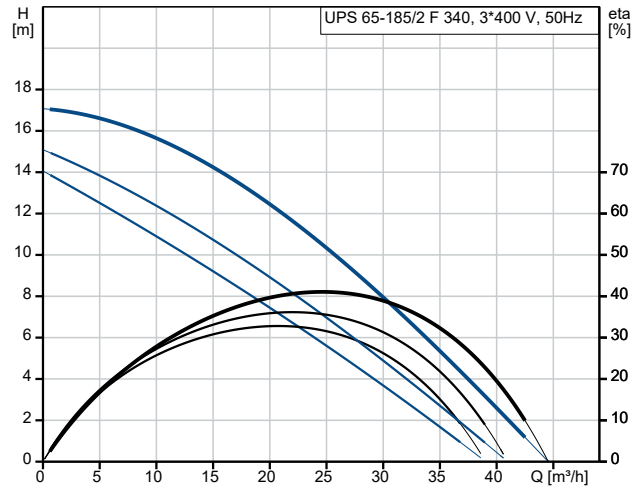
On request UPS 65-185/2 F 340 50 Hz



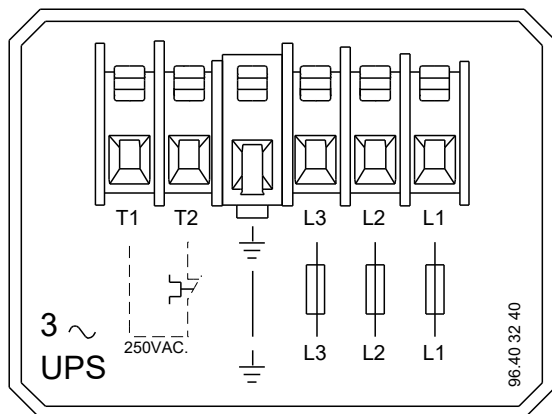
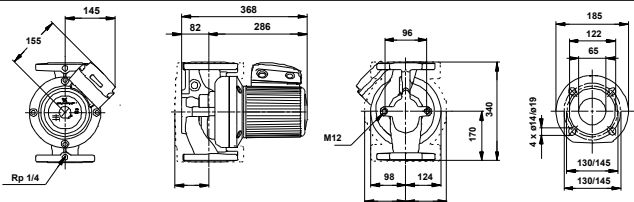
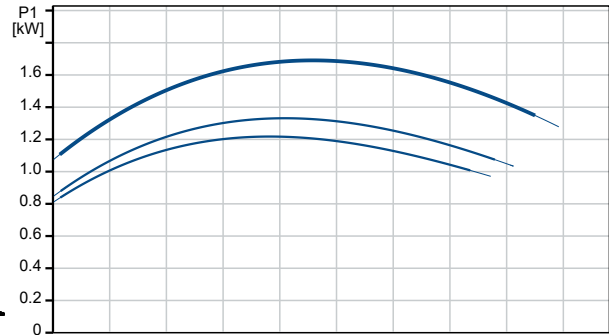
Pumped liquid = Water
 Liquid temperature during operation = 60 °C
 Density = 983.2 kg/m³



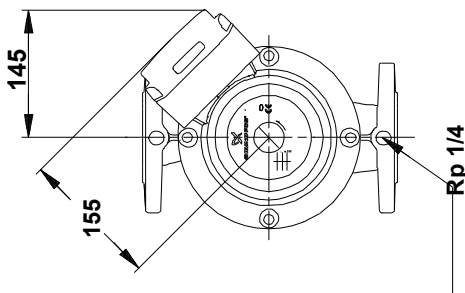
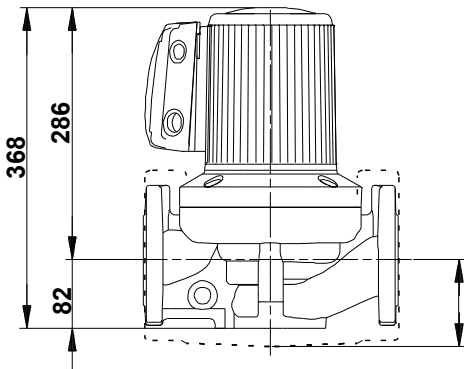
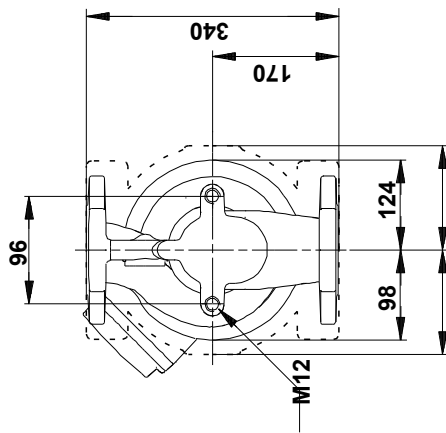
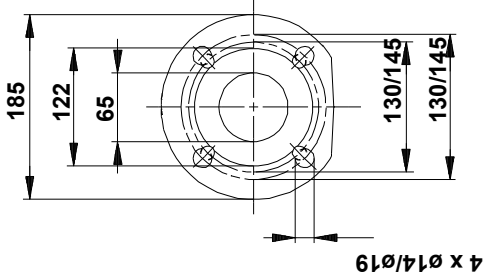
Description	Value
General information:	
Product name:	UPS 65-185/2 F 340
Product No:	On request
EAN number:	On request
Technical:	
Speed no:	3
Rated flow:	23.6 m ³ /h
Rated head:	11.06 m
Maximum head:	185 dm
Approvals:	AAA,EAC
Model:	C
Materials:	
Pump housing:	Cast iron
Pump housing:	EN 1561 EN-GJL-250
Pump housing:	35 B - 40 B
Impeller:	Stainless steel
Impeller:	EN 1.4301
Impeller:	304
Installation:	
Range of ambient temperature:	0 .. 40 °C
Maximum operating pressure:	10 bar
Type of connection:	DIN
Size of connection:	DN 65
Pressure rating for connection:	PN 6/10
Port-to-port length:	340 mm
Liquid:	
Pumped liquid:	Water
Liquid temperature range:	-10 .. 120 °C
Selected liquid temperature:	60 °C
Density:	983.2 kg/m ³
Electrical data:	
Power input in speed 1:	1220 W
Power input in speed 2:	1340 W
Max. power input:	1710 W
Mains frequency:	50 Hz
Rated voltage:	3 x 400-415 V
Current in speed 1:	2 A
Current in speed 2:	2.2 A
Current in speed 3:	3.25 A
Cos phi in speed 1:	0.88
Cos phi in speed 2:	0.88
Cos phi:	0.76
Number of poles:	2
Insulation class (IEC 85):	H
Enclosure class (IEC 60529):	X4D
Built-in motor protection:	CONTACT
Thermal protec:	external
Controls:	
Relay:	without relay
Others:	
Terminal box position:	1.30H
Net weight:	31.8 kg
Gross weight:	33.7 kg
Shipping volume:	0.055 m ³
Danish VVS No.:	380738043



Pumped liquid = Water
 Liquid temperature during operation = 60 °C
 Density = 983.2 kg/m³

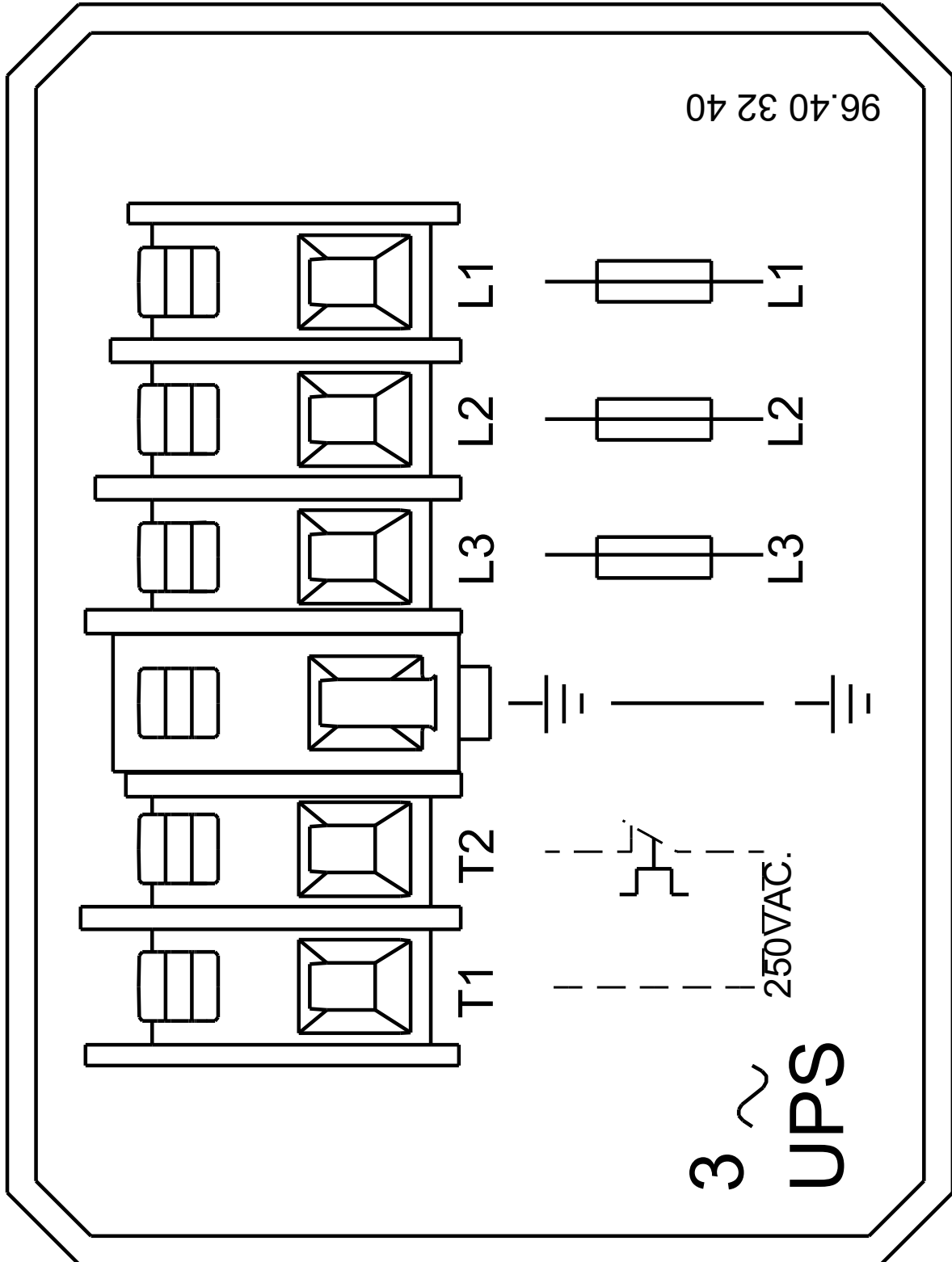


On request UPS 65-185/2 F 340 50 Hz



Note! All units are in [mm] unless others are stated.
 Disclaimer: This simplified dimensional drawing does not show all details.

On request UPS 65-185/2 F 340 50 Hz



Note! All units are in [mm] unless others are stated.